

Ladder**LOGIX** MXPXA300



Features

- MODBUS RTU
- Cloud Interface
- Email/SMS alerts
- GPRS/GSM
- Rugged design
- Compact DIN rail mounting
- Internal Web Server
- Power failure Fail-safe

Applications

- Telemetry
- Oil Explorations
- Energy Audits and Distribution
- SCADA
- Water Treatment
- Building Automation
- Environment Monitoring
- Access Control & Security

Value Addition

- Enterprise wide solutions
- Cross-border installations
- Feature rich and extendable
- On-demand customization
- Minimal Infrastructure cost
- Remote configuration
- Free upgrades

Introduction

LadderLOGIX series comprises of advanced Industrial Cloud gateways that can extend any Industrial network to Cloud. They enhance your capability monitor, analyze and control the performance of your process remotely, from any place in world.

These gateway devices can be easily interfaced with:

- Existing PLC, DCS or SCADA system with an MODBUS interface.
- MASIBUS MINT Intelligent IOs.



As Cloud Gateway

All LadderLOGIX devices are WebFRONT enabled. They can send data to cloud for monitoring, analysis and report purposes.

As Data-logger

The LadderLOGIX devices can be configured as standalone data-loggers with option of either sending data to a FTP server or saving it to a USB drive.

Technical Specification

Communication

Interface	2 Wire, EIA RS485
Protocol	MODBUS – RTU MODBUS Ethernet/IP
Available Ports	1 x RS485 Multi-drop Serial Communication 1 x MODBUS Ethernet/IP
Baud Rate	9600, 19200, 38400, 57600, 115200

Status Indication

LEDs	Power, Module Status, Internet, Cloud, Communication Status
------	---

Additional

Processor	208Mhz
Ethernet	10/100Mbits
USB Host	1 (USB 2.0)
Real Time Clock	✓
SNTP	✓
Email (SMTP)	✓
FTP	✓
Web Server	✓
GSM	(with MXPXA300G)
GPRS	(with MXPXA300G)
Internal Storage*	3000 records

*Company reserves rights to change default storage size.

Power

Voltage	24VDC ±10%
Current	< 1A
Power Usage	4 watts (max)

Isolation

Supply to Communication Port	1000 VAC RMS
------------------------------	--------------

Environmental

Operating Temperature	0 to 55 °C
Storage Temperature	-10 to 70 °C
Humidity	30 to 95% RH non-condensing

Physical

Dimensions	35(W) x 101(H) x 120(D) mm
Mounting	DIN Rail
Weight	250 gms approx.
Enclosure Material	Molded ABS

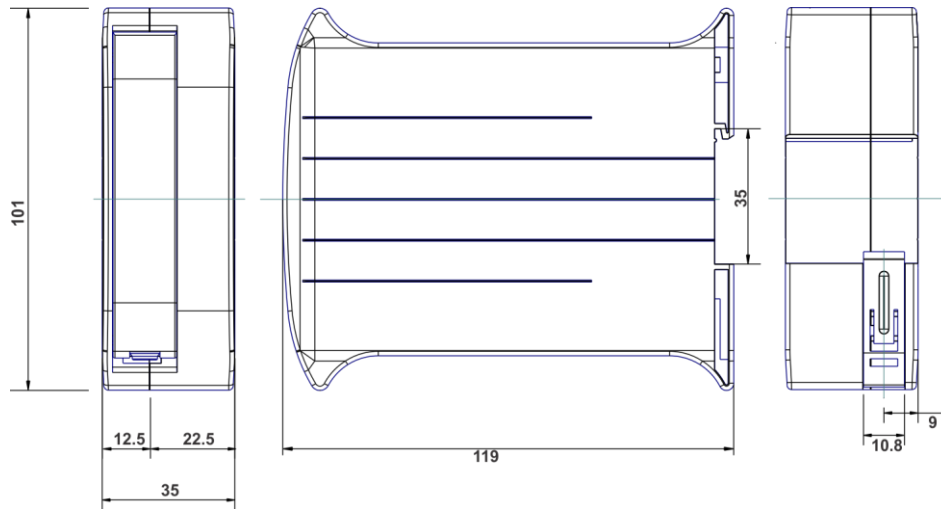


Figure 1: Physical Dimensions (mm)

Head Office:

Techno Instrumentation (India) Pvt. Ltd.
An ISO 9001:2008 Certified Company
Plot# 67, Street# 1-B,
Friends Colony Industrial Area,
G.T Road, Shahdara, Delhi – 110095,
India
M2MLogger is a division of Techno Instrumentation (India) Pvt. Ltd.

Telefax : +91-11-22112232
Mobile : +91 98105 54547
E-mail : sales@m2mlogger.com
Web : www.m2mlogger.com